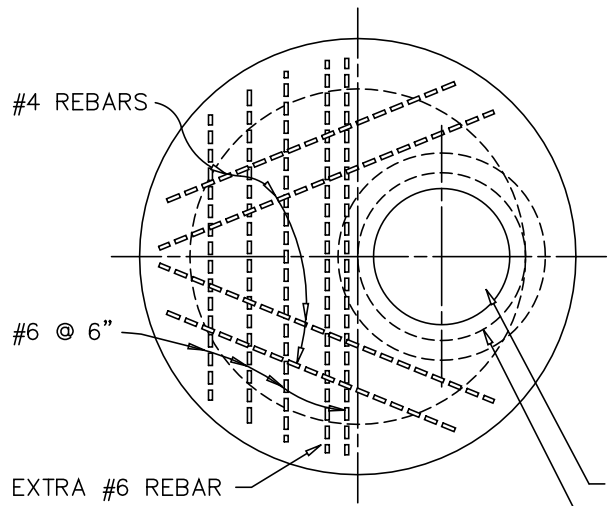
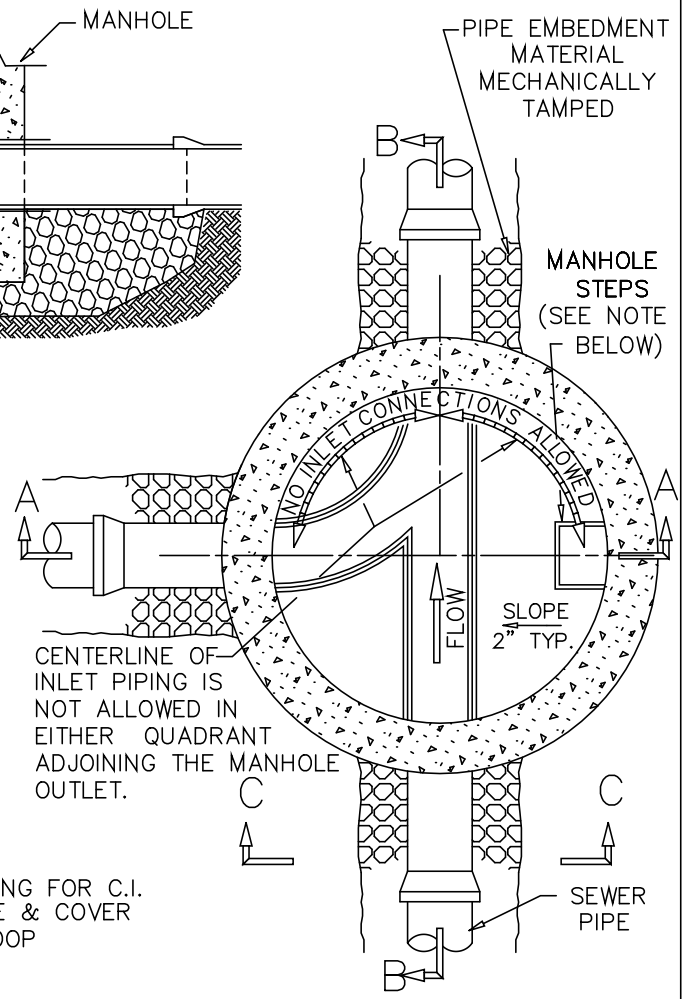


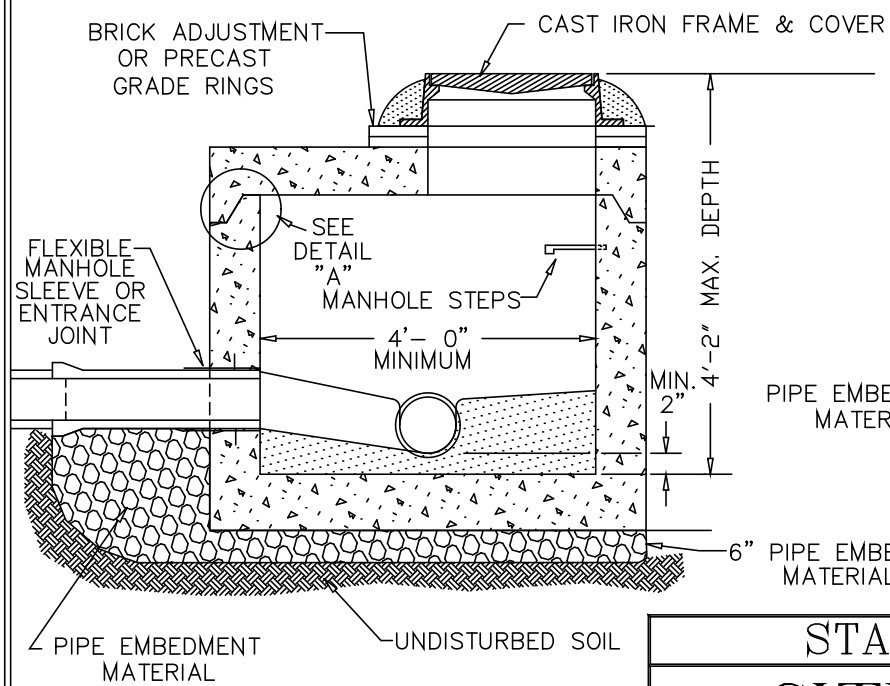
SECTION B-B



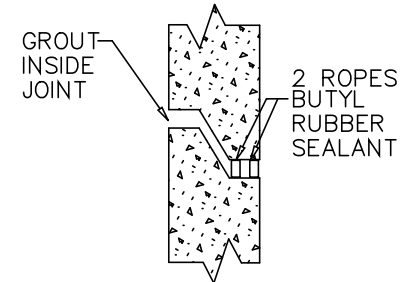
TOP SLAB REINFORCING STEEL



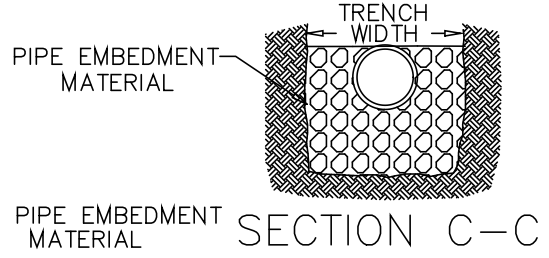
SECTIONAL PLAN



SECTION A-A



DETAIL "A"



SECTION C-C

NOTE:  
MANHOLE STEPS TO BE VERTICALLY IN LINE WITH "INVERT OUT" FOR PIPE 18" AND LESS. OVER 18" TO BE LOCATED IN LINE WITH BENCH.

STANDARD DETAIL	
CITY OF CAYCE	
SHALLOW MANHOLE TYPE I	
APPROVED:	# CAYCE-2