

20" CONCENTRIC CONE AS MFD.
BY TINDALL OR EQUAL

CAST IRON FRAME & COVER

BRICK ADJUSTMENT OR PRECAST
CONCRETE GRADE RINGS

GROUTED OR
PRECAST CONCRETE
"U" SHAPED CHANNELS

SEE
DETAIL
"A"

FLEXIBLE MANHOLE
SLEEVE OR
ENTRANCE JOINT**

4'-0" MINIMUM

NOTE: WHEN NON-FLEXIBLE
CONNECTION IS APPROVED,
FIRST PIPE JOINT SHALL
BE NO MORE THAN 12"
FROM MANHOLE WALL.

MIN.
2"

PIPE EMBEDMENT MATERIAL
MECHANICALLY TAMPED

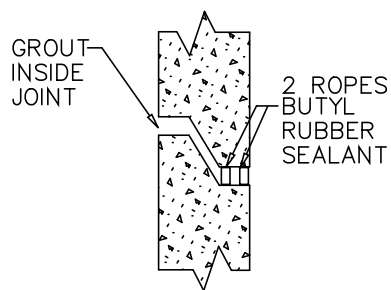
UNDISTURBED

6" PIPE EMBEDMENT MATERIAL
MECHANICALLY TAMPED

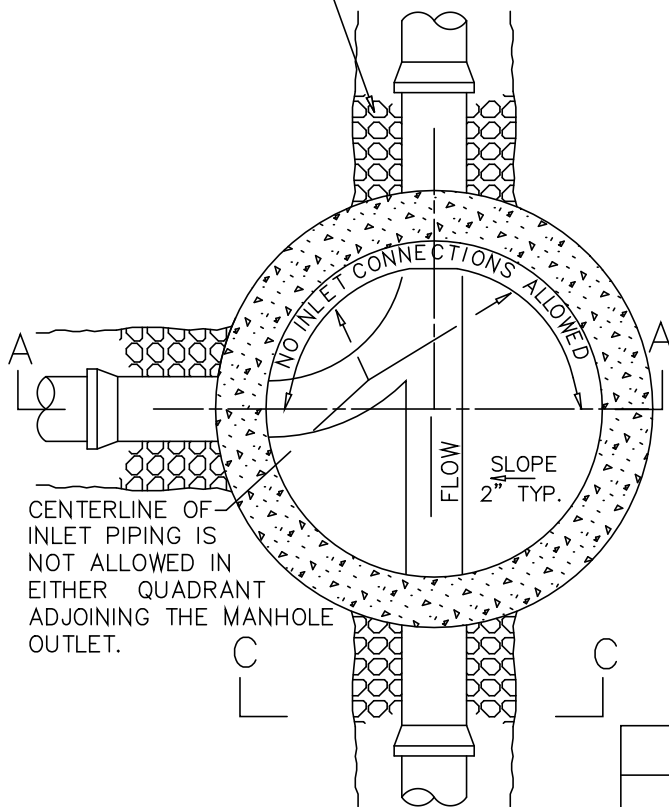
SECTION A-A

** SIZE OF BASE MAY NOT PERMIT BOOT IN WHICH
CASE NON-SHRINK GROUT SHALL BE USED TO MAKE
CONNECTION -REFER TO NOTE AT UPPER RIGHT

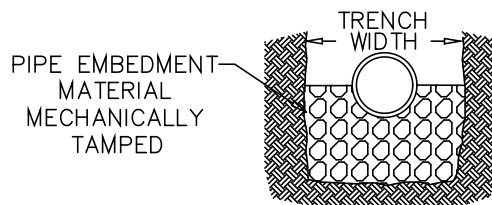
PIPE EMBEDMENT MATERIAL
MECHANICALLY TAMPED



DETAIL "A"



SECTIONAL PLAN



SECTION C-C

STANDARD DETAIL	
CITY OF CAYCE	
SHALLOW MANHOLE TYPE II	
APPROVED:	# CAYCE-2B