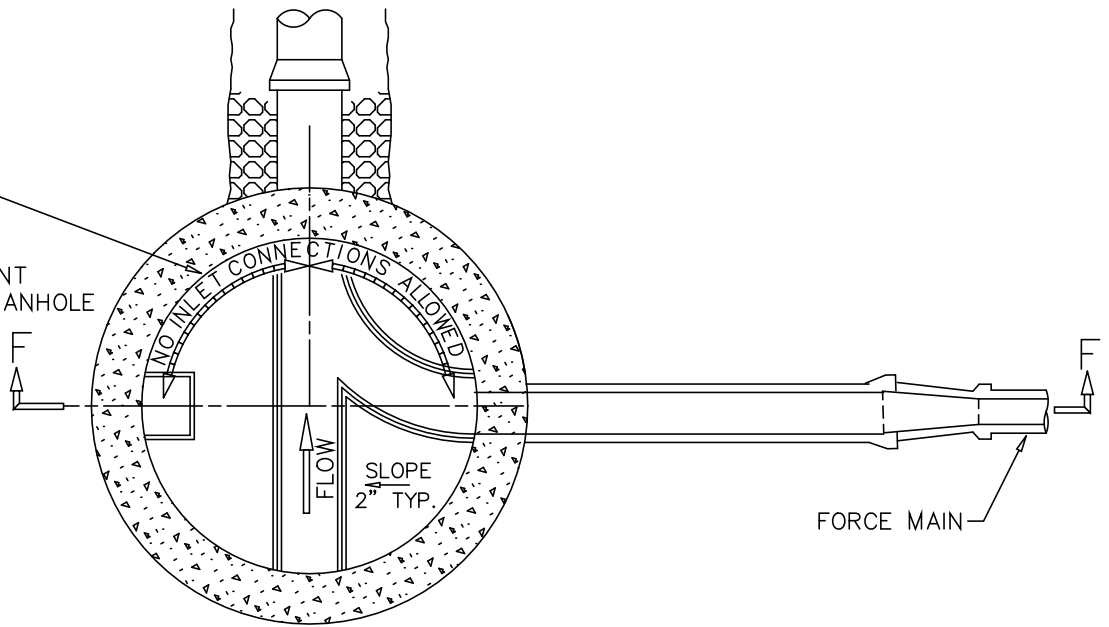
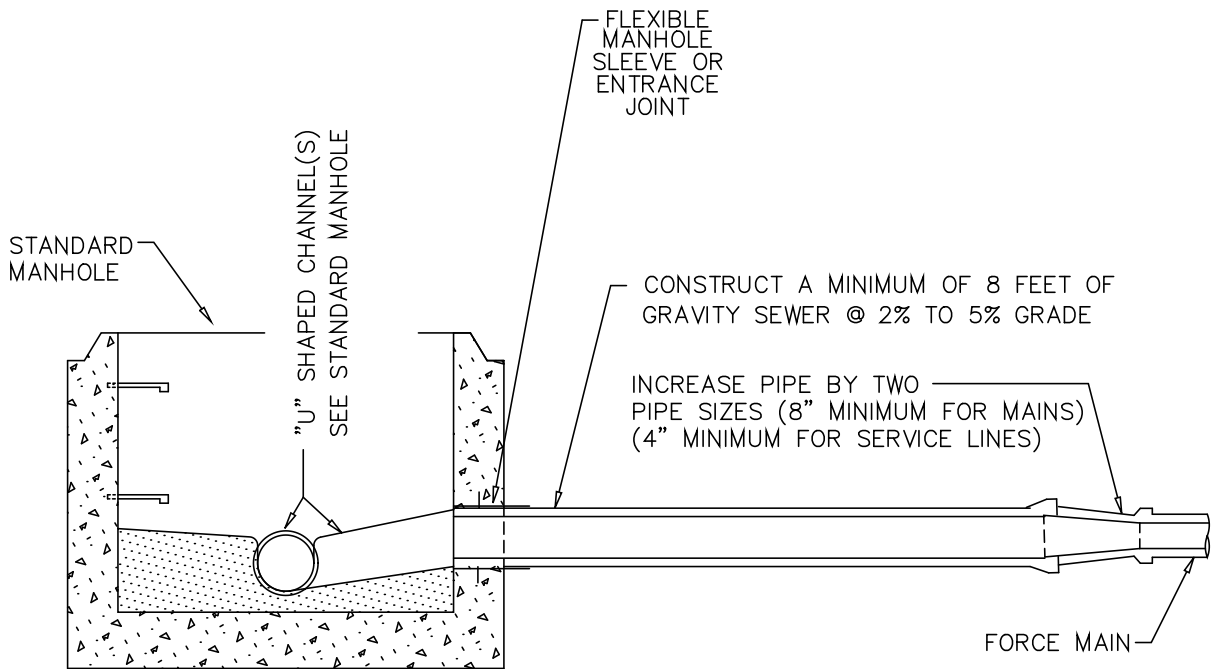


CENTERLINE OF INLET PIPING IS NOT ALLOWED IN EITHER QUADRANT ADJOINING THE MANHOLE OUTLET.



SECTIONAL PLAN



SECTION F-F

NOTE:
SEE ALSO SANITARY SEWER SERVICE DETAIL

| | |
|------------------------------|--|
| STANDARD DETAIL | |
| CITY OF CAYCE | |
| TYPE I FORCE MAIN CONNECTION | |
| # CAYCE-14A | |