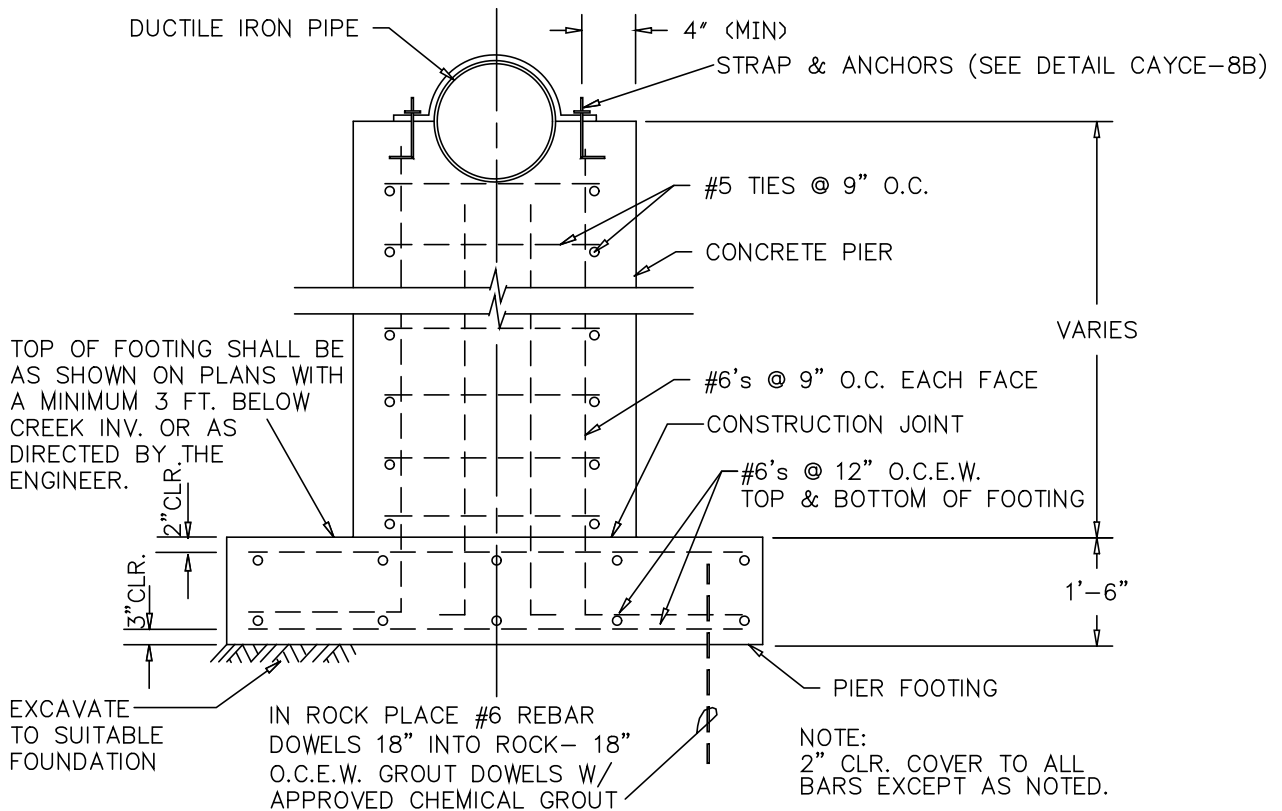


PIPE SIZE	"A"	"B"	"C"
8" - 16"	2'-4"	6'-4"	3'-0"
*18" - 24"	3'-0"	7'-0"	4'-0"
*30" - 42"	4'-6"	8'-6"	5'-0"
48"	6'-0"	11'-0"	6'-0"
54"	6'-6"	12'-0"	7'-0"
60"	7'-0"	13'-0"	8'-0"

SEE CHART AT RIGHT FOR DIMENSIONS A,B & C

PLAN



TOP OF FOOTING SHALL BE AS SHOWN ON PLANS WITH A MINIMUM 3 FT. BELOW CREEK INV. OR AS DIRECTED BY THE ENGINEER.

EXCAVATE TO SUITABLE FOUNDATION

IN ROCK PLACE #6 REBAR DOWELS 18" INTO ROCK - 18" O.C.E.W. GROUT DOWELS W/ APPROVED CHEMICAL GROUT

NOTE: 2" CLR. COVER TO ALL BARS EXCEPT AS NOTED.

SECTION

NOTES:

1. CONCRETE SHALL ATTAIN A COMPRESSIVE STRENGTH OF 3000 PSI WITHIN 28 DAYS.
2. SEE CROSSING DETAIL AND STAP/ANCHOR DETAILS FOR ADDITIONAL INFORMATION.

STANDARD DETAIL  
CITY OF CAYCE

CONCRETE PIER

APPROVED:

# CAYCE-8A